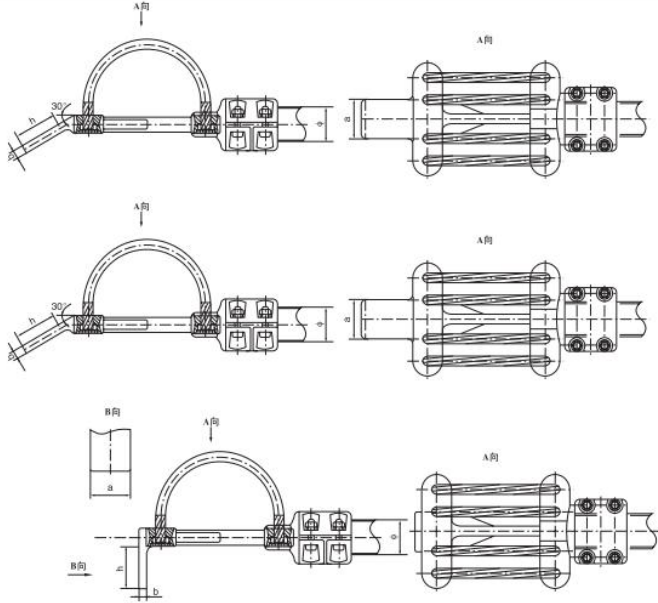


Overview

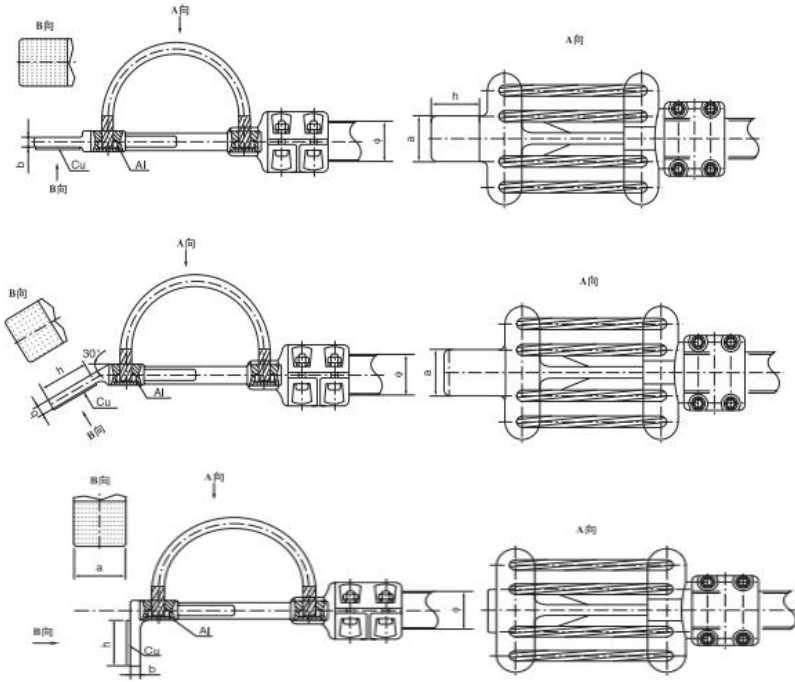
Flexible Clamps for Tubular Busbar are mainly used for the continuation and repair of overhead power lines and lightning protection lines. According to the different structure and installation method, it is divided into compression type, bolt type and pre-twisted type. Compression type is divided into hydraulic pressure, burst pressure and clamp pressure.

MGS tubular bus bar expansion clamp



Type	Suitable Conductor(mm)	Dimensions(mm)			
		Φ	B	L	H
MGS-50A(B、C)	Φ50/45	50	60	75	14
MGS-60A(B、C)	Φ60/54	60	60	75	14
MGS-70A(B、C)	Φ70/64	70	80	85	16
MGS-80A(B、C)	Φ80/72	80	80	85	16
MGS-90A(B、C)	Φ90/80	90	100	105	18
MGS-100A(B、C)	Φ100/90	100	100	105	18
MGS-110A(B、C)	Φ110/100	110	100	105	18
MGS-120A(B、C)	Φ120/110	120	100	105	18
MGS-130A(B、C)	Φ130/116	130	125	130	20
MGS-150A(B、C)	Φ150/136	150	125	130	20

MGS tubular bus bar expansion clamp



TYPE	Suitable Conductor(mm)	Dimensions(mm)			
		φ	B	L	H
MGSG-50A(B、C)	φ50/45	50	60	75	14
MGSG-60A(B、C)	φ60/54	60	60	75	14
MGSG-70A(B、C)	φ70/64	70	80	85	16
MGSG-80A(B、C)	φ80/72	80	80	85	16
MGSG-90A(B、C)	φ90/80	90	100	105	18
MGSG-100A(B、C)	φ100/90	100	100	105	18
MGSG-110A(B、C)	φ110/100	110	100	105	18
MGSG-120A(B、C)	φ120/110	120	100	105	18
MGSG-130A(B、C)	φ130/116	130	125	130	20
MGSG-150A(B、C)	φ150/136	150	125	130	20

The MGS type is an aluminum wire clip; the MGSG type is a copper-aluminum transition wire clip, and its model name is: MGSG- $\times \times$ A. MGSG uses MGS as a brazed copper plate;

If the size h and a change, please indicate h \times a when ordering.

Note: 1. The body and gland are made of aluminum, and the rest are made of hot-dip galvanized steel

If the size of the terminal board required by the user is different from the above, please specify when ordering;

A means $\alpha = 0^\circ$ (horizontal); B means $\alpha = 30^\circ$; C means $\alpha = 90^\circ$